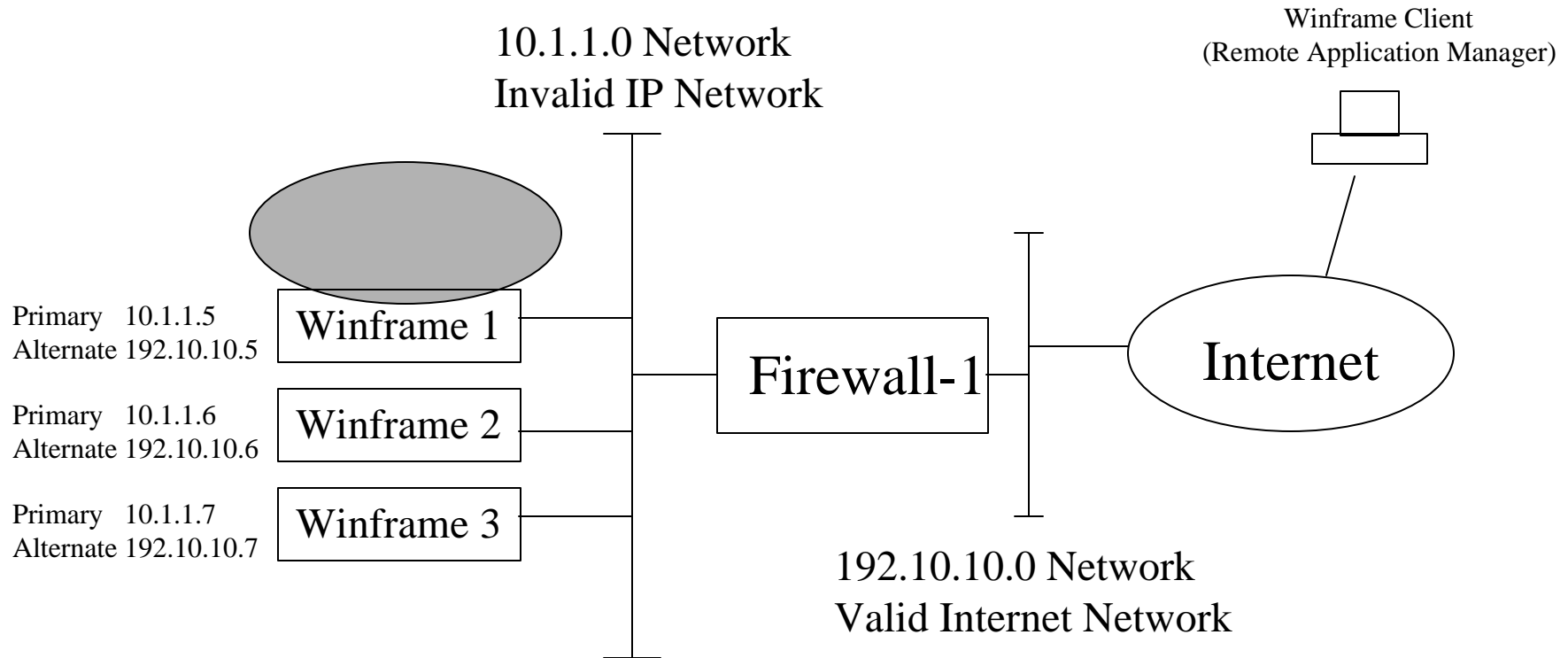
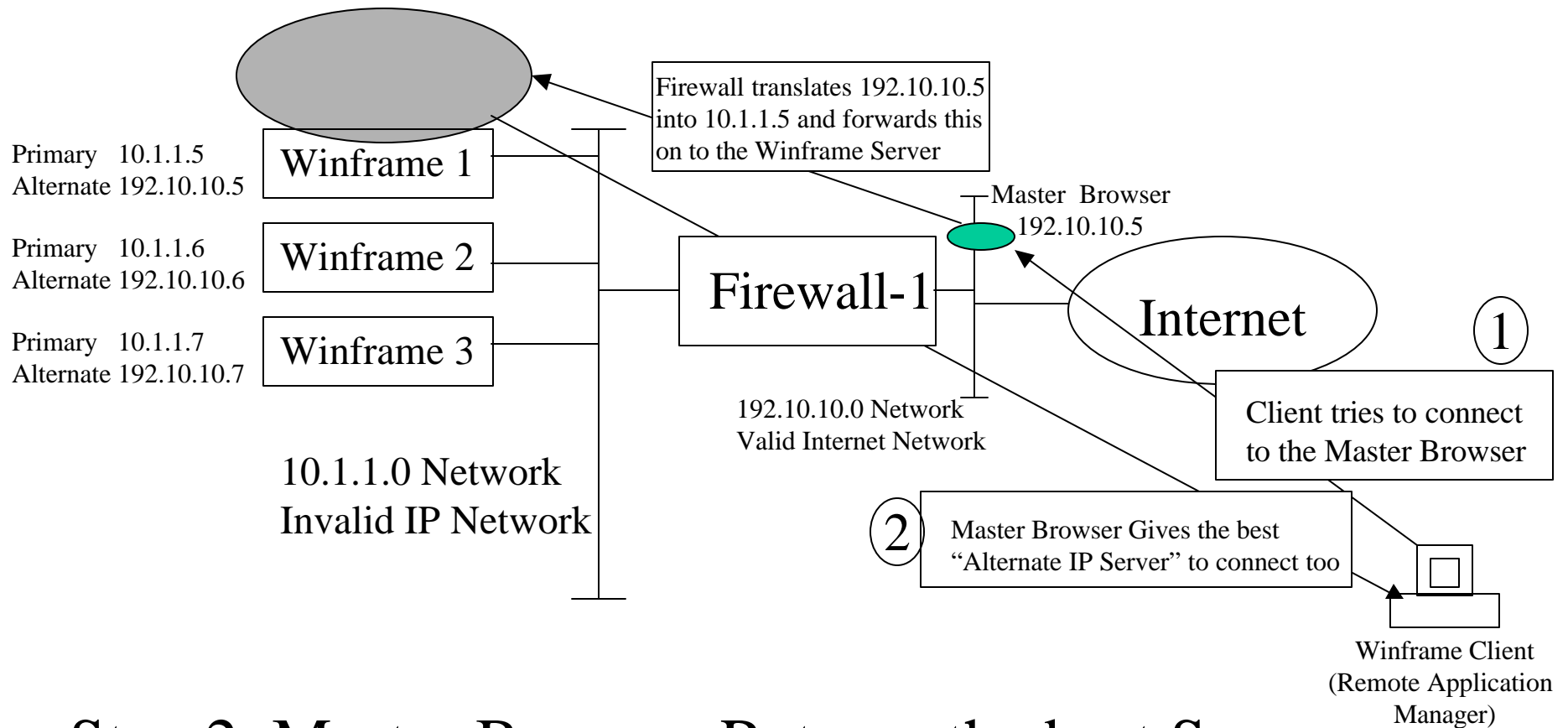


# Citrix Load Balancing Through FireWall-1

- The Goal is to have the Client connect to the Best Winframe Server
- Client Makes the Request of the ICA Master Browser
- ICA Master Browser will return the best Winframe server to connect too



# Step 1. Client Requests Connection



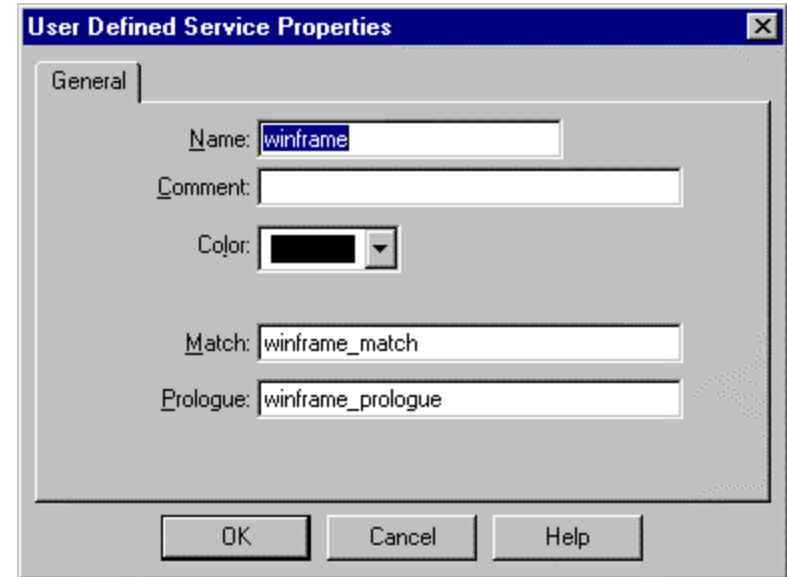
Step 2. Master Browser Returns the best Server to connect too.

# Firewall Configurations Needed

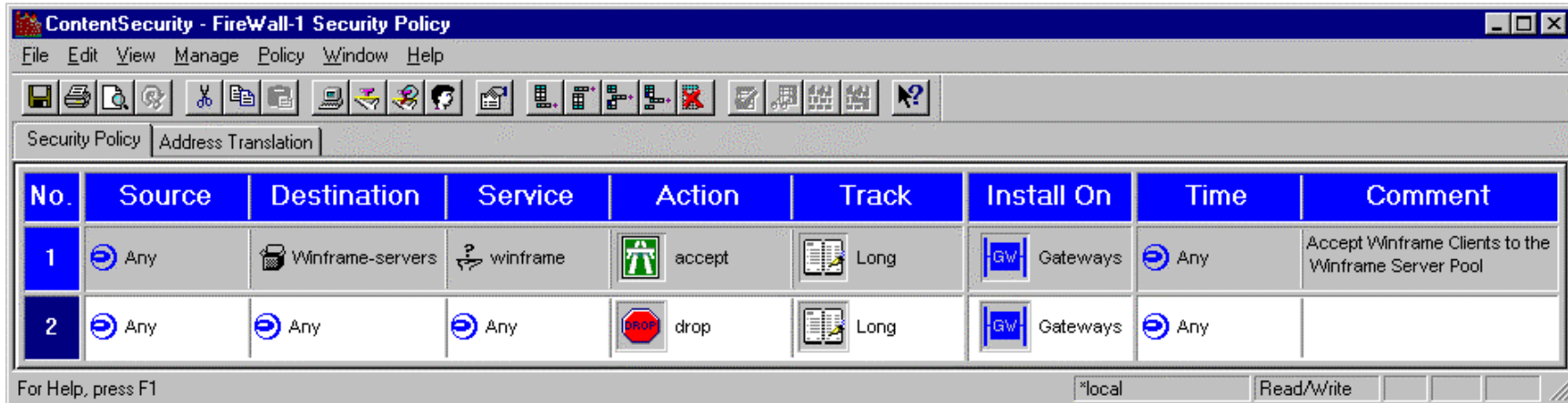
Instructions for adding WinFrame support to FireWall-1:

Please Note: Instructions #2 and #3 below are only needed for versions of FireWall-1 less than 3.0. If you are running FireWall-1 version 3.0 or above, only execute instruction #1 below.

1. Create a new service of type "other" called "winframe" where:  
the match is "winframe\_match" and  
the prologue is "winframe\_prologue".
2. Add the following line to table.def:  
wf\_connections = dynamic refresh expires TCP\_TIMEOUT;  
(add this line before the last line "#endif")
3. Add the following code to base.def: (Click here for a text code)



1. Winframe-Server Group in Rule Below includes valid and invalid IP Address of Winframe Servers
2. Address Translation is configured (see address translation note at: [www.checkpoint.com/~joe](http://www.checkpoint.com/~joe))



No.	Source	Destination	Service	Action	Track	Install On	Time	Comment
1	Any	Winframe-servers	winframe	accept	Long	Gateways	Any	Accept Winframe Clients to the Winframe Server Pool
2	Any	Any	Any	drop	Long	Gateways	Any	

# Configuration Settings on Server....

[From Hotfix SE170016]

## ALTADDR Usage

-----  
This utility is used to set the alternate (external) address that the WinFrame server will return to clients who request it. The syntax is:

```
ALTADDR [Options] [/SET AlternateAddress]
ALTADDR [Options] [/SET AdapterAddress AlternateAddress]
ALTADDR [Options] [/DELETE [AdapterAddress]]
```

Query or set alternate network addresses for an application server. The alternate address is an external address known to clients outside a firewall.

### Options:

```
[/SET]      - set alternate TCP/IP addresses
[/SERVER:name] - configure the specified server
[/DELETE]   - delete the default or specified adapter address
[/V]       - verbose display mode
[/?]       - display help message
```

When setting alternate addresses, specify a single IP address to indicate the alternate IP address used by default for all adapters on the system, or specify a pair of IP addresses that indicate a particular local IP address and its corresponding alternate address.



Winframe 1

Winframe 2

Winframe 3

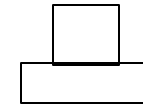
# Configuration Settings on the Client

Version 3.00.329 or later of the WinFrame Client is required in order for the client to request an alternate address from the server. At the time of this writing the latest clients are DE000329, WE000329, and NE000329 (DOS, Win16, and Win32, respectively).

To configure the client, edit the APPSRV.INI and add the line:

```
UseAlternateAddress=1
```

to the "[WFCLIENT]" section. This setting is a flag that instructs the client to request an alternate IP address. If this flag is added to the "[WFCLIENT]" section, the client requests the alternate IP address for every defined server connection. It also requests the alternate IP address when browsing WinFrame servers and published applications. This allows the client to browse across firewalls even when IP address translation is enabled on a firewall.



Winframe Client  
(Remote Application  
Manager)

# Screen Shots at the Client

The client defines the published internet address of a WinFrame server behind the firewall. That WinFrame server must have the same as an Alternate Address defined with the ALTADDR utility found in SE170060.exe at ftp.citrix.com/winfrm17.

The list of published applications listed with the ICA Master Browser behind the firewall is then returned to the client along with ALTADDR addresses of the servers to connect to.

